

**Features**

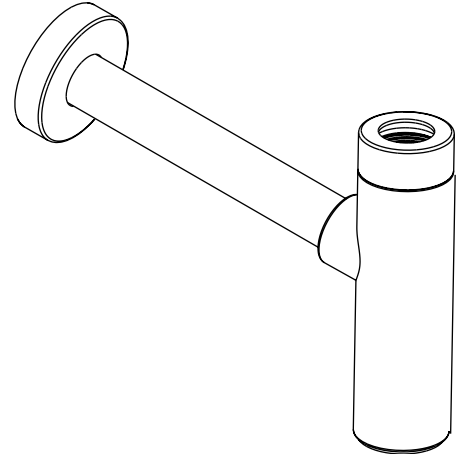
- Intended for console table and vessel installations
- 1-1/4" diameter slip-fit inlet
- Removable trap eye for easy cleaning
- Contemporary design
- Includes 12" (30.5 cm) extension tube

**Codes/Standards Applicable**

Specified model meets or exceeds the following:

- ASME A112.18.2
- CSA B45
- IAPMO/UPC

**BOTTLE TRAP  
K-9035**



**Colors/Finishes**

- CP: Polished Chrome
- Other: Refer to Price Book for additional colors/finishes

**Specified Model:**

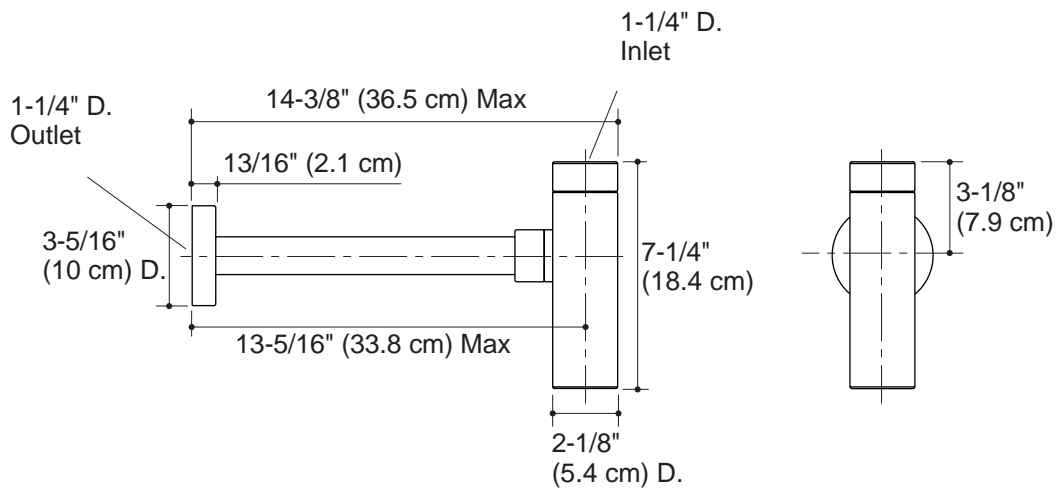
Model	Description	Colors/Finishes	
K-9035	Bottle trap - contemporary design	<input type="checkbox"/> CP	<input type="checkbox"/> Other_____

**PRODUCT SPECIFICATION**

Bottle trap shall be for console table and vessel installations. Product shall include a 12" (30.5 cm) extension tube, 1-1/4" diameter slip-fit inlet, and removable trap eye for easy cleaning. Product shall have a contemporary design. Product shall be Kohler Model K-9035-\_\_\_\_\_.

## Installation Notes

Install this product according to the installation guide.



## Product Diagram