

CALLA II PEDESTAL LAVATORY, KIT# 24368

- Design-matched to Calla II suite products (see Price Book)
- Vitreous china construction
- Available in white and biscuit only
- New 35" height pedestal – designed for comfort
- With recessed rear overflow
- Faucet ledge

Kit Components:

- 20368** Lavatory slab with 1-3/8" dia. holes on 8" (203mm) centers (for spread lavatory faucet only)
- 21360** Pedestal base only

Nominal Overall Dimensions:

23-3/4" x 20-1/8" x 35-1/2" (603 x 511 x 902mm)

Bowl Inside Dimensions:

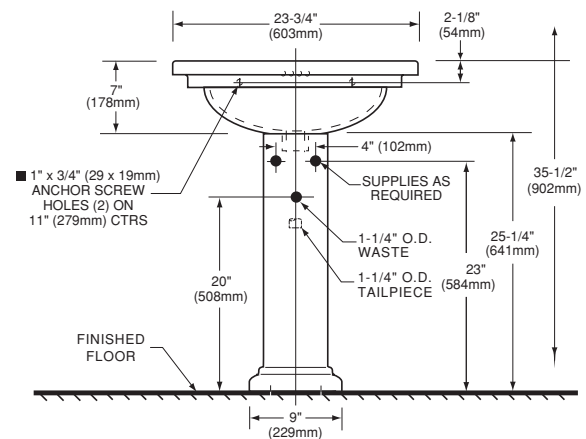
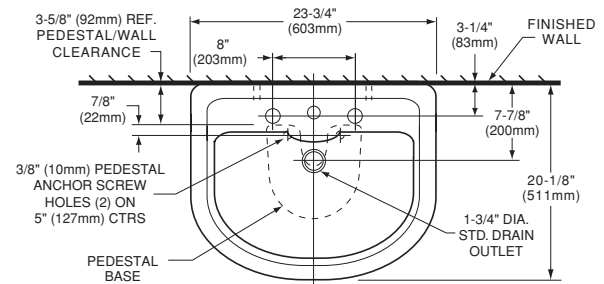
19-1/2" (495mm) wide

12-1/4" (311mm) front to back

5-3/4" (146mm) depth

Open pedestal back

Fixture Dimensions conform to ANSI Standard A112.19.2M



To Be Specified

- Faucet:
- Faucet Finish:
- Supplies:
- 1-1/4" Trap:
- Nipple:

NOTES:

- ★ DIMENSIONS SHOWN FOR LOCATION OF SUPPLIES AND "P" TRAP ARE SUGGESTED.
- FOR REINFORCEMENT ONLY. TAKE ACTUAL DIMENSIONS FROM FIXTURE. SLAB/PEDESTAL ANCHORS AND MOUNTING FEATURES TO BE FURNISHED BY OTHERS. PROVIDE SUITABLE REINFORCEMENT FOR ALL WALL SUPPORTS. FITTINGS NOT INCLUDED AND MUST BE ORDERED SEPARATELY. INSTALLATION INSTRUCTIONS SUPPLIED WITH LAVATORY.

IMPORTANT: Dimensions of fixtures are nominal and may vary within the range of tolerances established by ANSI Standard A112.19.2M. These measurements are subject to change or cancellation. No responsibility is assumed for use of superseded or voided pages.