

RIVIERA WALL-MOUNTED LAVATORY AND CAGE UNIT, KIT# 2630X

- Contemporary styling, design-matched to Veneto II™ suite products
- Fire clay china construction
- Available in white only
- With rear overflow
- Platform design with integral faucet ledge and backsplash
- With chrome-finish cage unit
- Lavatory can be mounted on wall separately for residential use only
- Made in Italy

Kit Components:

- 20301** Lavatory slab with 1-3/8" dia. center hole only
- 21230** Cage Unit only

Nominal Overall Dimensions:

41-1/2" x 21-1/4" x 7-1/2" (1054 x 540 x 191mm)
50" (1270mm) wide

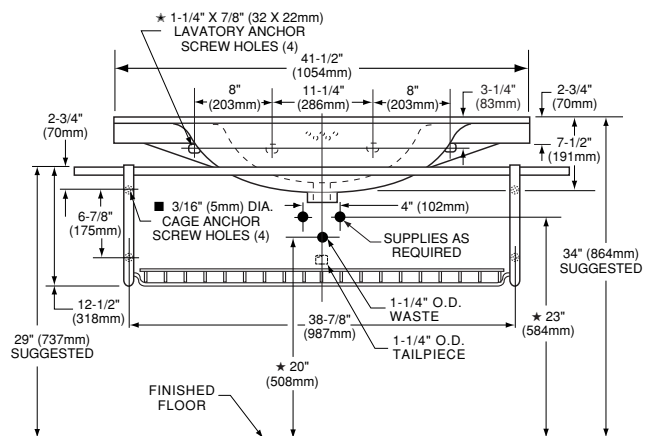
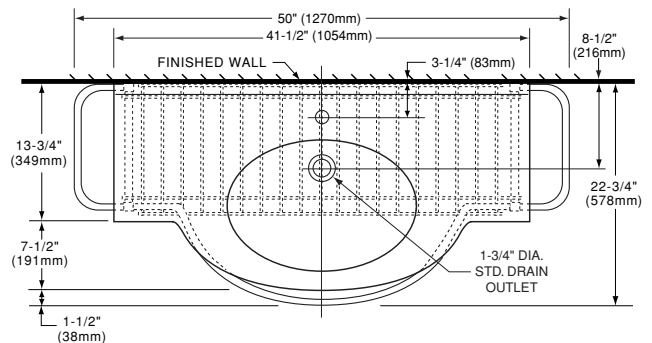
Bowl Inside Dimensions:

19" (483mm) wide
13" (330mm) front to back
6-3/4" (171mm) depth

Fixture Dimensions conform to ANSI Standard
A112.19.9M

To Be Specified

- Faucet:
- Faucet Finish:
- Supplies:
- 1-1/4" Trap:
- Nipple:



NOTES:

- ★ DIMENSIONS SHOWN FOR LOCATION OF SUPPLIES AND "P" TRAP ARE SUGGESTED.
- FOR REINFORCEMENT ONLY. TAKE ACTUAL DIMENSIONS FROM FIXTURE. SLAB ANCHORS AND MOUNTING FEATURES TO BE FURNISHED BY OTHERS. PROVIDE SUITABLE REINFORCEMENT FOR ALL WALL SUPPORTS. FITTINGS NOT INCLUDED AND MUST BE ORDERED SEPARATELY. INSTALLATION INSTRUCTIONS SUPPLIED WITH LAVATORY.

IMPORTANT: Dimensions of fixtures are nominal and may vary within the range of tolerances established by ANSI Standard A112.19.2M. These measurements are subject to change or cancellation. No responsibility is assumed for use of superseded or voided pages.